

Spare parts - Version 1
Serial number: 1901xxx –

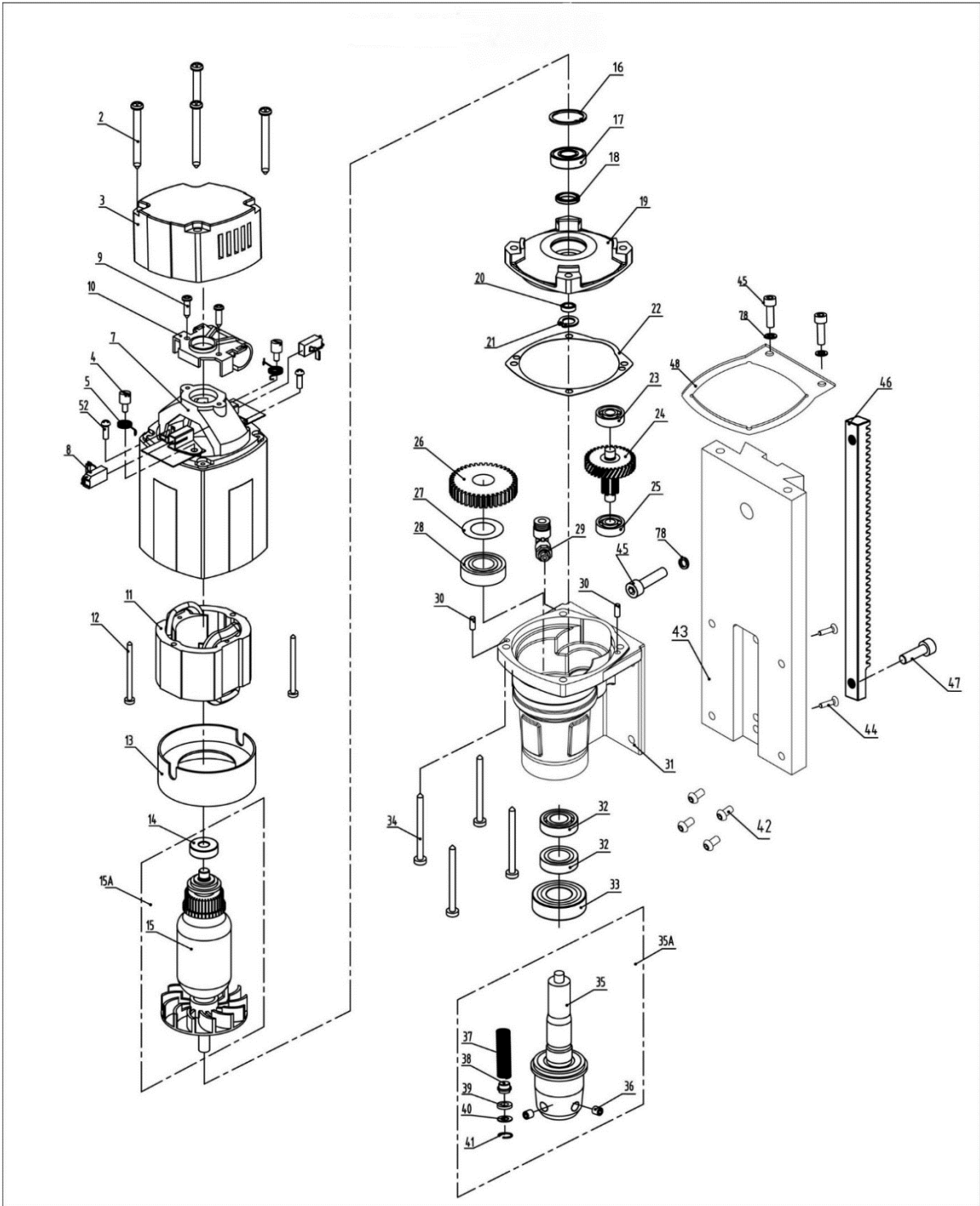
 **EUROBOOR**
FOR PROFESSIONALS BY PROFESSIONALS

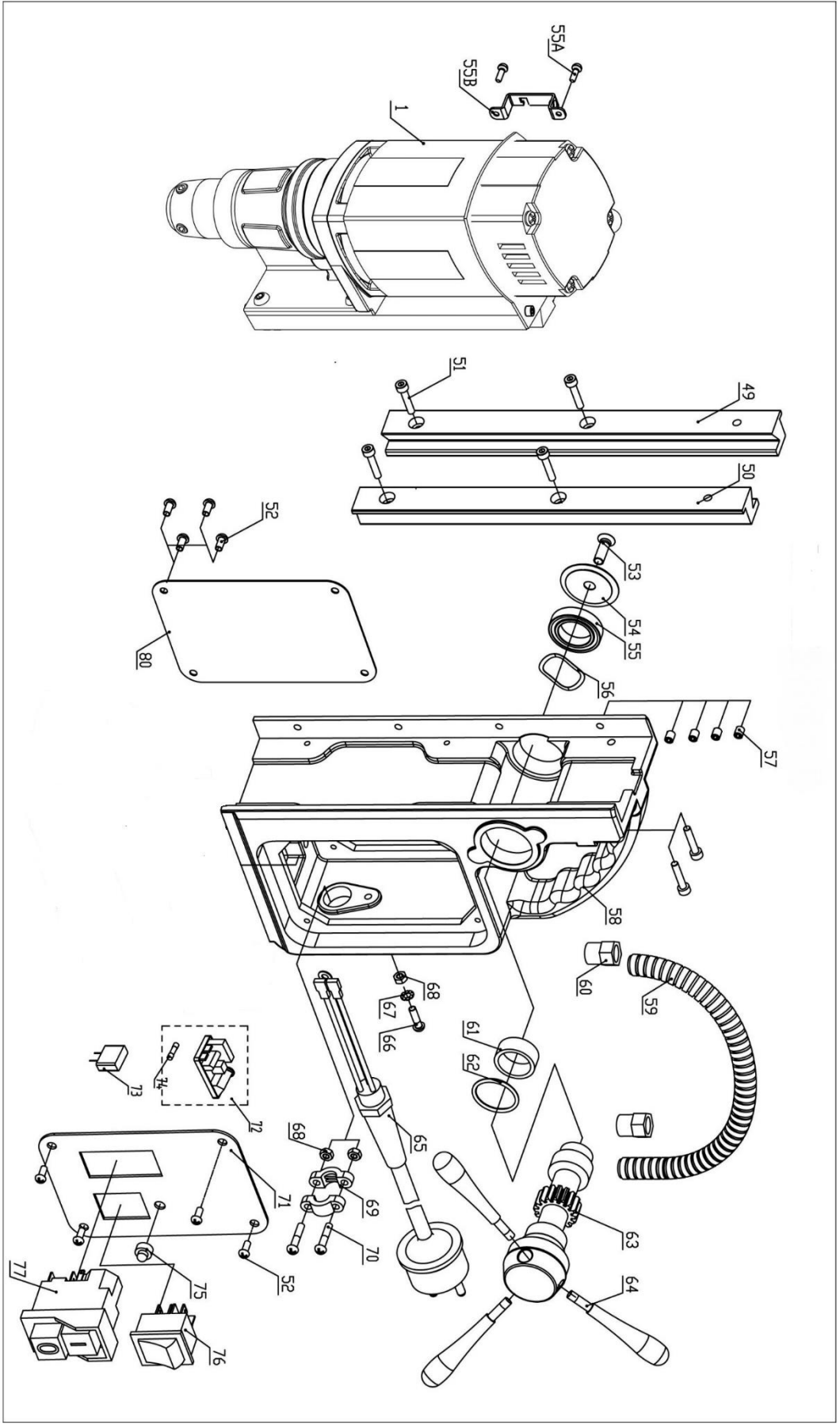
Rail drilling machine

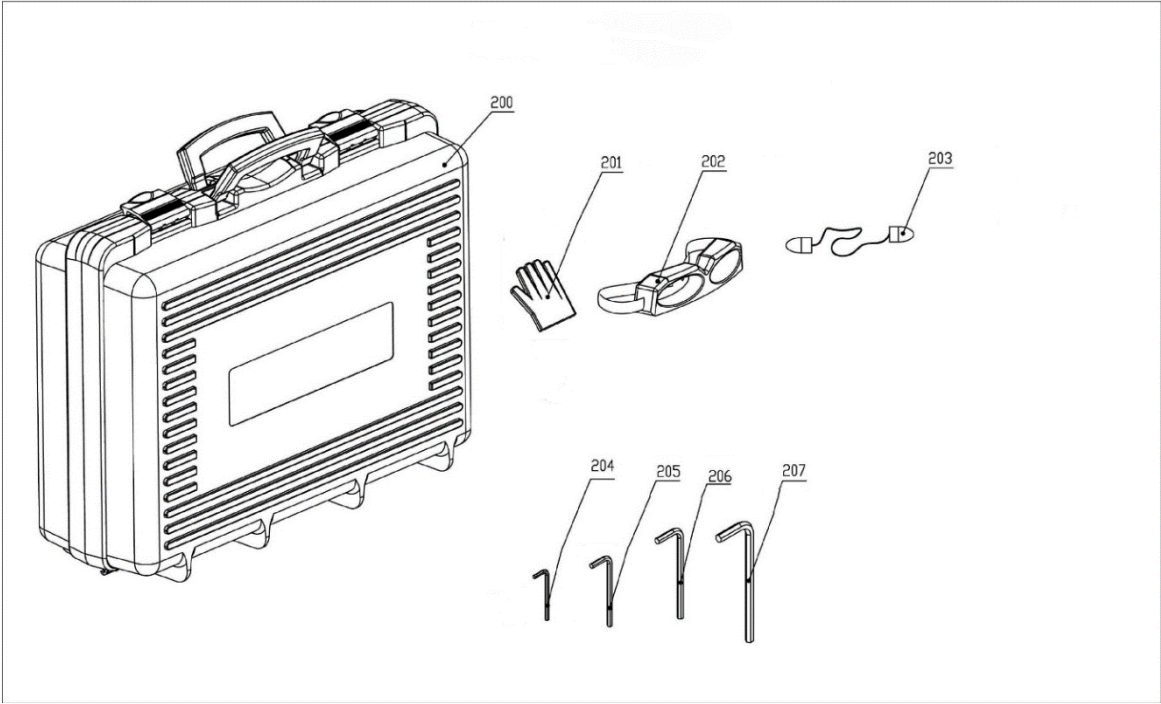
RAIL.60S – V1

Is your serial number missing? Please contact Euroboor and ask them for more information.

Last update: August 26th, 2020







No	Part number	Description	Qty
1	040S.1001	Motor 220V complete (incl. gear box)	1
	040S.1001A	Motor 110V complete (incl. gear box)	1
2	032.0106	Screw BK4,8 x 55	4
3	032.0111	End cover	1
4	032.0136	Screw	2
5	032.0141	Spring	2
7	040S.1012	Motor housing	1
8	032.0146	Carbon brush set 220V	1
	032.0147	Carbon brush set 110V	
9	032.0116	Screw	2
10	032.0131	Adapter ring cap	1
11	040S.0276	Field 220V	1
	040S.0277	Field 110V	1
12	020.0328	Screw	2
13	032.0161	Baffle	1
14	032.0126	Bearing 8 x 22 x7608	1
15A+20	040S.1011	Armature set 220V	1
	040S.1011A	Armature set 110V	
16	032.0166	Circlip 472/28/1.2	1
17	050.9070	Bearing	1
18	050.0064	Oil bearing 15 x 21 x 3	1
19	040S.0236X	Inner gear plate	1
20	040S.0065	Rotor iron seal	1
21	020.0308	Circlip	1
22	040S.0128	Gasket	1
23	032.0221	Bearing	1
24	360.1013	32CBevel gear assembly	1
25	020.0636	Bearing	1
26	360.1014	Spindle gear	1
27	032.0191	Adapter ring 17 x 24 x 0.2	1
28	032.0196	Bearing 6003 (17 x 35 x 10)	1
29	KSP.S	Coolant connector Quick (blue ring)	1
30	050.0025	Pin	2
31	040S.0008	Gear box	1
32	030E.5033	Sealant	2
33	030.0009	Bearing 6004DDU	1
34	032.0216	Screw	4
35A	030E.5035	Spindle inc. spring set	1
37-41	030E.5037	Spring set	1
42	020.0471	Screw	4
43	040S.0011	Slide	1
44	020.0309	Screw	2
45	020.0156	Screw SS M6 x 20	7

No	Part number	Description	Qty
46	050.0074	Rack - 1.5X39T	1
47	020.0106	Screw	1
48	040S.0041	Top-fixing-plate	1
49-50	020.0086/Z	Rail set Aluminium (L/R) Z-profile	1
51	020.0063	Screw	6
52	020.0101	Panel screw BKVZ M4 x 8	10
53	020.0081	End screw BKVZ M6 x 20	1
54	050.0030	Ender cover Ø36 X 3	1
55	050.0063	Bearing 6804ZZ	1
55A	KSP.MS	Screw M5 x 10	2
55B	KSP.M/3	Tank holder	1
56	040.0023	Washer	1
57	020.0231	Screw M5 x 6	4
58	020.0056/Z	Frame aluminium rail (Z)	1
59	020.0046	Motor cable complete inc. 020.0041/H	1
60	020.0041/H	Coupling nut (motor cable) PG9	2
61	032.0127	Adapter ring	1
62	030.0027	Washer	1
63	020.0061/Z	Capstan hub assembly	1
64	020.0315	Arm for capstan	3
65	020.0036	Main cable complete 220-240V	1
	020.0036/AU	Main cable Australia	
	020.0036/UK	Main cable UK 220V	
	020.0036/UK 110-16A	Main cable UK 110V 16A	
	020.0036/USA	Main Cable USA	
66-68	020.0182	Grounding screw/washer/nut	1
68-70	020.0037	Cable clamp	1
71	PP.F-ECO.40S	Front panel plate	1
72	020.0001/2	Control unit 220V YSW model 1	1
	020.0001/21	Control unit 110V YSW model 1	
73	020.0257	Capacitance	1
74	020.0017	Fuse 5 x 20 F2A	1
75	020.0206	LED indicator set	1
76	020.0011	Magnet switch	1
77	030E.0091/Y	Motor switch 220V (5-pin) YELLOW	1
	030E.0092/Y	Motor switch 110V (5-pin) YELLOW	
80	055.0002	Rear panel plate 220V	1
80	055.0002A	Rear panel plate 110V	1

200	CAS.40S	Case RAIL.40S (black with inlay)	1
201	SAF.300	Protective gloves	1
202	SAF.100	Safety goggles	1
203	SAF.200	Ear plugs	1
204	IMB.US2.5	Allen key 2.5 mm	1
205	IMB.US3	Allen key 3.0 mm	1
206	IMB.US4	Allen key 4.0 mm	1
207	IMB.US5	Allen key 5.0 mm	1

No.	Art.no	Description	Qty
1	020.0508	Worm set	1
2	020.0524	Set	2
3	020.0514	Worm bushing	1
4	020.0500	Worm	1
5	020.0523	Key	1
6	020.0502	The fixed frame	1
7	020.0525	Set	1
8	020.0513	Connecting bolts	1
9	020.0522	Flexible split pin	1
10	020.0511	Limit piece	1
11	020.0526	Screw	4
12	RAK.002/1	The base	1
13	RAK.002/1	Clamp	2
14	020.0520	Inner hexagon bolt	2
15	020.0527	Inner hexagon bolt	4
16	020.0521	The positioning pin	4
17	020.0501	Worm gear radial	1
18	020.0506	Fixed pin	1
19	020.0505	Rocker arm bushing	2
20	020.0504	Rocker arm side panel	2
21	020.0507	The rocker gasket	1
22	020.0074	Screw	1
23	020.0066A	Arm-ball-for-capstan	2
24	020.0066H	Arm-stick-for-capstan	1